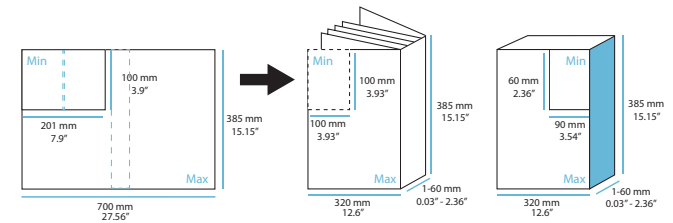


Bourg Binder 3002 EVA

BB3002 EVA

The BB3002 is designed to create state of the art perfect bound books while being user-friendly. All adjustments can be done through the touchscreen interface (GUI) to optimize productivity. Reduced set up time allows for a peak speed of 600 cycles per hour. The binder is capable of automatically adapting to the thickness of each job, up to a maximum thickness of 60 mm (2.36 in). This offers users minimal loss of productivity when processing different jobs and is ideal for On-Demand applications. The BB3002 incorporates the highest quality creasing with up to 13 positive or negative creases. The BB3002 utilizes a creasing form technology which offers greater flexibility and superior results compared to competing wheel scoring binders.

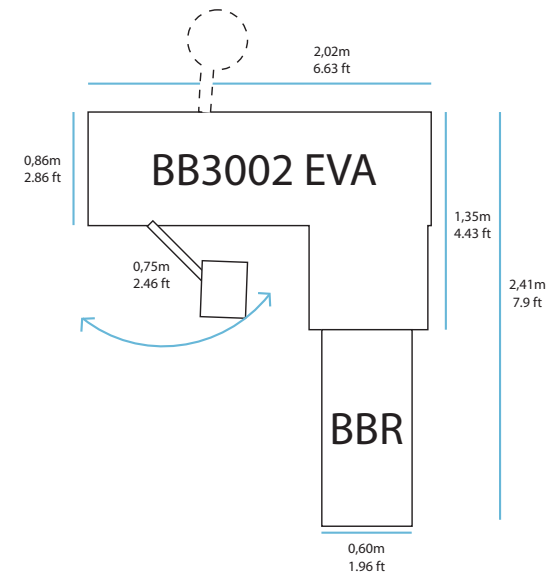
MEDIA / SHEET SIZES



Maximum Speed

600 cycles/hour
300 books/hour

DIMENSIONS

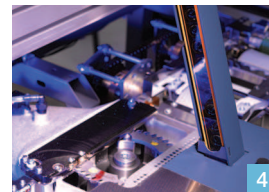
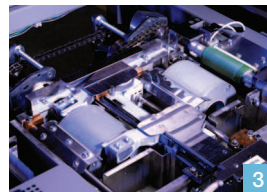
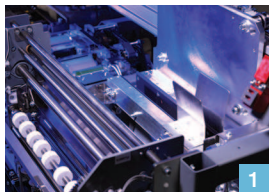


POPULAR CONFIGURATIONS

BB3002 EVA + CMT 330



Features	Advantages	Benefits
Wide range of book thicknesses ¹	<ul style="list-style-type: none"> Binds from 1 to 60 mm (0.04 in to 2.36 in) 	<ul style="list-style-type: none"> No pre-measurements required Book thickness is automatically recorded during the loading process
Fully automated binder	<ul style="list-style-type: none"> Adapts all features automatically to the thickness of each job 	<ul style="list-style-type: none"> Ideal for variable data jobs varying in thickness and on-demand jobs All functionalities can be controlled via the GUI
Connectability	<ul style="list-style-type: none"> Challenge Machinery Trimmer 330 and 130 series Bourg Book Reception module 	<ul style="list-style-type: none"> Connectable to a trimmer In-Line, Near-Line or even Off-Line
Graphical User Interface (GUI)	<ul style="list-style-type: none"> User-friendly industrial grade color touch screen Single GUI for entire finishing line can be connected wirelessly to any tablet, smartphone or computer 	<ul style="list-style-type: none"> Easy to use interface Control your entire finishing remotely Remote diagnostics, statistics and much more
Superior milling and notching ²	<ul style="list-style-type: none"> Power milling wheel with notching for EVA applications 	<ul style="list-style-type: none"> Ensures deep glue penetration for maximum cover adhesion
3 cylinder glue tank ³	<ul style="list-style-type: none"> 1st cylinder penetrates between sheets 2nd cylinder applies desired spine glue quantity 3rd cylinder guarantees perfect glue repartition 	<ul style="list-style-type: none"> Superior EVA spine gluing for premier book binding
Incorporated side gluing	<ul style="list-style-type: none"> Adjustable side gluing 	<ul style="list-style-type: none"> Superior EVA side gluing for premier book binding
Knife creasing	<ul style="list-style-type: none"> Up to 13 positive/negative cover creases 	<ul style="list-style-type: none"> Highest quality creasing Able to create winged books
Automatic barcode scanning	<ul style="list-style-type: none"> Each book block and cover will be scanned in order to guarantee book integrity No setup required 	<ul style="list-style-type: none"> Each job is checked in order to avoid reprints, also records each job for job tracking No manual job setup
Safety barrier ⁴	<ul style="list-style-type: none"> Optical sensors guarantee operator safety while loading Jobs are automatically processed when removing hands from loading area 	<ul style="list-style-type: none"> Increases productivity and ease of operation while guaranteeing operator safety



TECHNICAL SPECIFICATIONS

Media

Cover

Minimum size	100 x 201 mm 3.9 x 7.9 in
Maximum size	385 x 700 mm 15.2 x 27.6 in
Weight	80 to 300 gsm

Content

Minimum size perfect binding	100 x 100 mm 3.9 x 3.9 in
Maximum size perfect binding	385 x 320 mm 15.2 x 12.6 in
Thickness perfect binding	1 to 60 mm 0.04 to 2.4 in
Minimum size padding	60 x 90 mm 2.4 x 3.5 in
Maximum size padding	385 x 320 mm 15.2 x 12.6 in
Thickness padding	1 to 60 mm 0.04 to 2.4 in
Weight	60 to 160 gsm

Physical

Weight	650 kg 1,450 lbs
Glue temperature	130 to 180 °C
Cover station capacity	80 mm 3.2 in
BBR capacity	700 mm 27.6 in

Electrical / Acoustic

Power supply	230V ±10%, 60Hz, 3 phase delta, 12A 230V ±10%, 50Hz, 3 phase delta 12A 400V ±10%, 50Hz, 3 phase star, no neutral needed, 12A
--------------	--

Operational mode

Power consumption	4,000 W
Radiant heat	13,700 BTU/hour
Sound level	75 dB

Standby mode

Power consumption	1,500 W
Radiant heat	5,100 BTU/hour